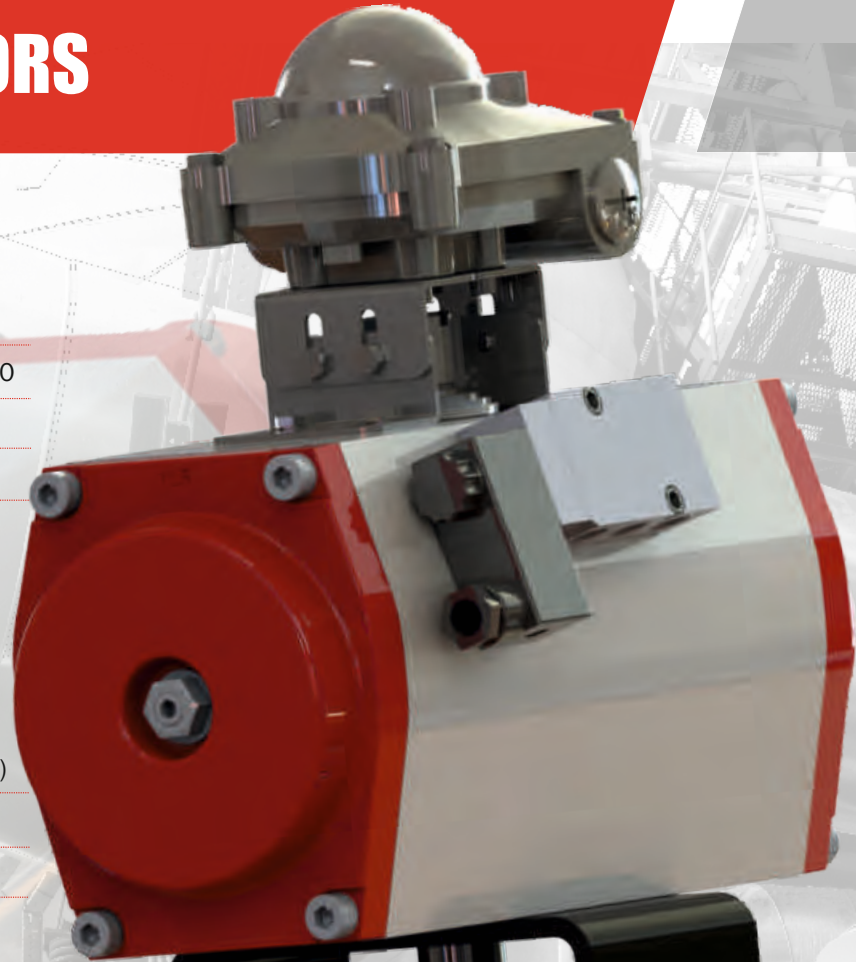


ABO *valve*

we make processes work

PNEUMATIC ACTUATORS

Design	Single or double acting twin piston actuator
Supply	Filtered air ISO 8573-1:2010
Operating pressure	2 / 10 bar
Torque output	2.4 to 15,3000 Nm
Temperature rating	Standard -50 .. + 70°C (NBR O-ring, Delrin guide) Optional -15 .. + 160°C (Viton O-ring, IXEF guide) Optional -60 .. + 200°C (Silicone O-ring, PTFE guide)
Mounting standards	VDI/VDE 3845, NAMUR
Valve interface	ISO 5211
Rotation	90° (standard) 120° / 180° / 240° (upon request)



SERIES 95

GT line

www.abovalve.com

TECHNICAL SPECIFICATION

Czech Industrial Valve Manufacturer

ABO valve pneumatic actuators of Series GT

are built to provide long and efficient service with minimum maintenance. Actuator's design, engineering and materials used in their construction ensure optimum performance even in really difficult environments.

Main technical data

Supply Filtered air ISO 8573-2:2010
Other fluids upon request

Operating Pressure 2 to 10 bar

Torque output 2.4 to 15,300 Nm

Temperature ranges

Standard

-50 .. + 70 °C

(NBR O-ring, Delrin guide)

Optional

-15 .. + 160 °C

(Viton O-ring, IXEF guide)

Optional

-60 .. + 200 °C

(Silicone O-ring, PTFE guide)

Mounting standards

Air supply

VDI/VDE 3845, NAMUR

Valve interface

ISO 5211

Rotation

90° (120°, 180°, 240°)

Customized angles available as well as three position versions

Stroke adjustment - type GTW

-25° to +5° from 0° position

-5° to +5° from 90° position

Stroke adjustment - type GTX, GTK

-5° to +5° from 90° position

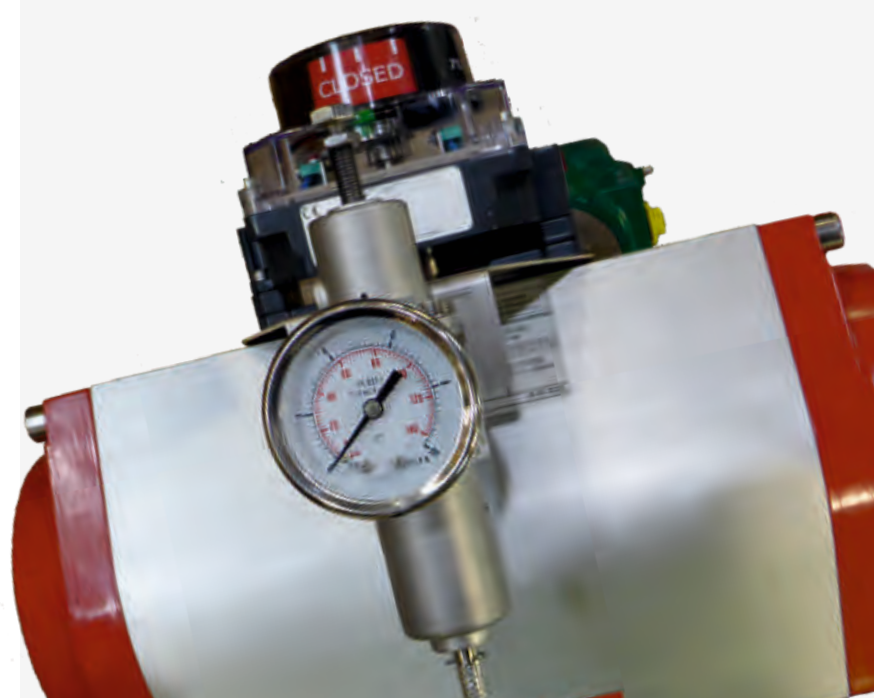
TORQUE OUTPUT DATA

DOUBLE ACTING DESIGN

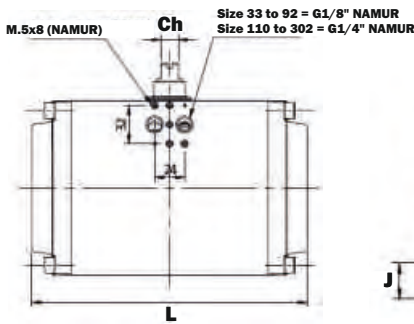
Size	Pneumatic torque (Nm)															Model	Time of entire cycle (sec)
	2 bar	2,5 bar	3 bar	3,5 bar	4 bar	4,5 bar	5 bar	5,6 bar	6 bar	6,5 bar	7 bar	8 bar	9 bar	10 bar			
43, 44	4,7	5,8	7,0	8,2	9,4	10,5	11,7	13,1	14,0	15,2	16,4	18,7	21,0	23,4	GTK 52x90DLS	0.158	
52	7,8	9,7	11,7	13,6	15,6	17,5	19,5	21,8	23,4	25,3	27,3	31,2	35,1	39,0	GTK 63x90DLS	0.214	
63	11,6	14,5	17,4	20,3	23,2	26,1	29,0	32,5	34,8	37,7	40,6	46,4	52,5	58,0	GTK 75x90DLS	0.334	
75	20,0	25,0	30,0	35,0	40,0	45,0	50,0	56,0	60,0	65,0	70,0	80,0	90,0	100,0	GTK 83x90DLS	0.430	
83	29,0	36,2	43,5	50,7	58,0	65,2	72,5	81,2	87,0	94,2	101,5	116,0	130,5	145,0	GTK 92x90DLS	0.444	
92	40,0	50,0	60,0	70,0	80,0	90,0	100,0	112,0	120,0	130,0	140,0	160,0	180,0	200,0	GTW 110x90	0.462	
110	58,0	72,5	87,0	101,5	116,0	130,5	145,0	162,4	174,0	188,5	203,0	232,0	261,0	290,0	GTW 118x90	0.600	
118	86,0	107,5	129,0	150,5	172,0	193,5	215,0	240,8	258,0	279,5	301,0	344,0	387,0	430,0	GTW 127x90	0.858	
127	116,0	145,0	174,0	203,0	232,0	261,0	290,0	324,8	348,0	377,0	406,0	464,0	522,0	580,0	GTW 143x90	1.580	
143	186,0	232,5	279,0	325,5	372,0	418,5	465,0	520,8	558,0	604,5	651,0	744,0	837,0	930,0	GTW 160x90	1.620	
160	230,0	287,5	345,0	402,5	460,0	517,5	575,5	644,0	690,0	747,5	805,0	920,0	1035	1150	GTW 190x90	3.220	
190	400,0	500,0	600,0	700,0	800,0	900,0	1000	1120	1200	1300	1400	1600	1800	2000	GTW 210x90	3.330	
210	480,0	600,0	720,0	840,0	959,9	1080	1200	1344	1440	1560	1680	1920	2160	2400	GTW 254x90	6.000	
254	920,0	1150	1380	1610	1840	2070	2300	2576	2760	2990	3220	3680	4140	4600	GTW 255x90	7.500	
255	1160	1450	1740	2030	2320	2610	2900	3248	3480	3770	4060	4640	5220	5800	GTW 300x90	9.340	
300,300-F25	1600	2000	2400	2800	3200	3600	4000	4480	4800	5200	5600	6400	7200	8000	GTW 302x90	10.515	
302,302-F25	3060	3825	4590	5355	6120	6885	7650	8568	9180	9945	10710	12240	13770	15300			

2 / ABO valve Czech

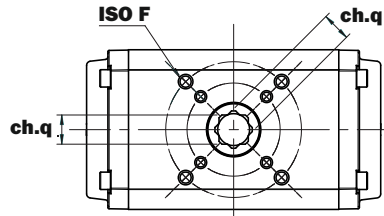
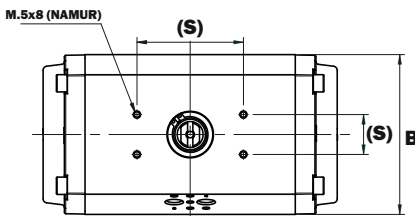
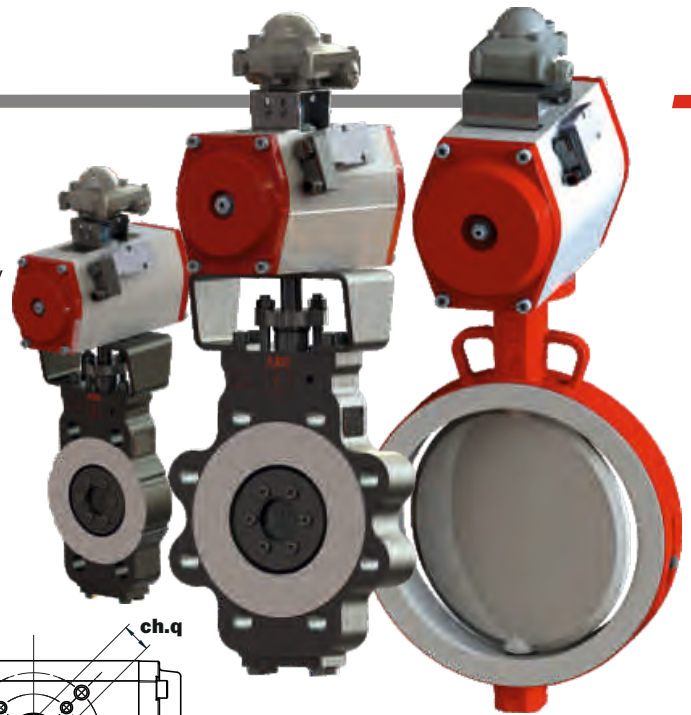
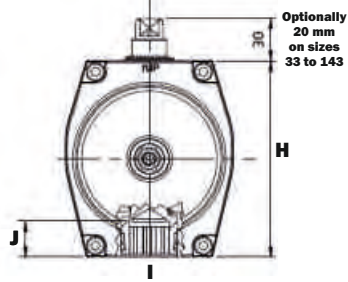
This table summarizes the times necessary to complete cycle open/close of double acting pneumatic actuators valid in case of air loading pressure 5,6 bar and for actuator without any valve to be mounted on.



BASIC PARAMETERS



Air connection according NAMUR



(S) Feedback interface: size 43 to 127 = 30x80, size 143 to 302-F25 = 30x130 acc. NAMUR



Model	Dimensions (mm)									Displacement (dm ³)				Weight (kg)			
	L			H	J	B	Ch	Ch.q	ISO	DA				SR			
	90°	120°	180°							90°	90°	120°	180°	90°	90°	120°	180°
33	90	-	-	65	13	61,5	10	9/11	F03	-	0,15	-	-	-	0,47	-	-
34	90	-	-	65	13	61,5	10	9/11	F04	-	0,15	-	-	-	0,47	-	-
43	116	-	-	65	13	61,5	10	9/11	F03/F05	0,10	0,18	-	-	0,66	0,60	-	-
44	116	-	-	65	13	61,5	10	9/11	F04	0,10	0,18	-	-	0,66	0,60	-	-
52	133	151	195	74	18	68,5	10	14*	F03/F05	0,13	0,25	0,28	0,46	1,00	0,90	1,10	1,30
63	137	155	200	88	20	80	10	14*	F05/F07	0,21	0,40	0,45	0,74	1,62	1,45	1,70	2,00
75	161	183	237	100	20	92,5	10	17	F05/F07	0,32	0,60	0,68	1,12	2,45	2,10	2,46	2,90
83	180	205	268	108	20	99,5	10	17	F05/F07	0,45	0,88	1,00	1,63	2,95	2,50	2,95	3,50
92	209	239	310	117	21	110,5	14	17	F05/F07	0,62	1,20	1,35	2,25	4,00	3,40	4,00	4,60
110	223	253	323	140	25,5	120	14	22	F07/F10	0,98	1,90	2,15	3,52	6,20	5,20	6,10	7,20
118	293	345	429	140	36	120	20	22	F07/F10	1,40	2,70	3,05	5,00	8,35	7,10	8,00	9,70
127	301	353	453	160	36	137	20	22	F07/F10	2,00	3,65	4,10	6,80	10,7	9,00	10,00	12,5
143	337	387	488	198	33	172	20	27	F10/F12	2,50	4,60	6,12	9,20	15,8	12,4	14,0	16,0
160	379	444	570	250	39	172	28	27	F10/F12	3,80	7,00	8,00	13,0	20,1	16,4	18,8	26,0
190	422	-	-	255	41	224	28	36	F14	6,50	12,5	-	-	37,8	28,0	-	-
210	468	544	696	255	40	224	32	36	F14	8,00	15,0	17,0	21,5	39,6	31,8	37,4	49,2
253	524	600	751	302	50	272	32	46	F16	10	19,2	22	29	56	44	50	63
254	609	711	911	302	50	272	32	46	F16	14,0	27,0	31,5	41,0	70,6	55,5	66,5	79,8
255	689	815	-	302	50	272	32	46	F16	17,0	32,0	38,0	-	84,3	69,2	77,0	-
300	689	814	-	360	50	360	32	46	F16	25	46	68	-	107,1	92	105	-
300-F25	689	814	-	392	65	360	32	55	F25	25	46	68	-	114	99	112	-
302	1,176	-	-	360	50	360	32	46	F16	46	84	-	-	179	144	-	-
302-F25	1,176	-	-	392	65	360	32	55	F25	46	84	-	-	179	154	-	-

(1) Spring return with 8 springs (size 43,44) with 12 springs (size 52 to 302-F25)

(2) Weight refers to protrusion shaft 30 mm

(3) Mechanical interfaces acc. to ISO 5211 - DIN 3337 NAMUR VDI/VDE 3845

*) Standard connection: diagonal square 14 mm instead of star

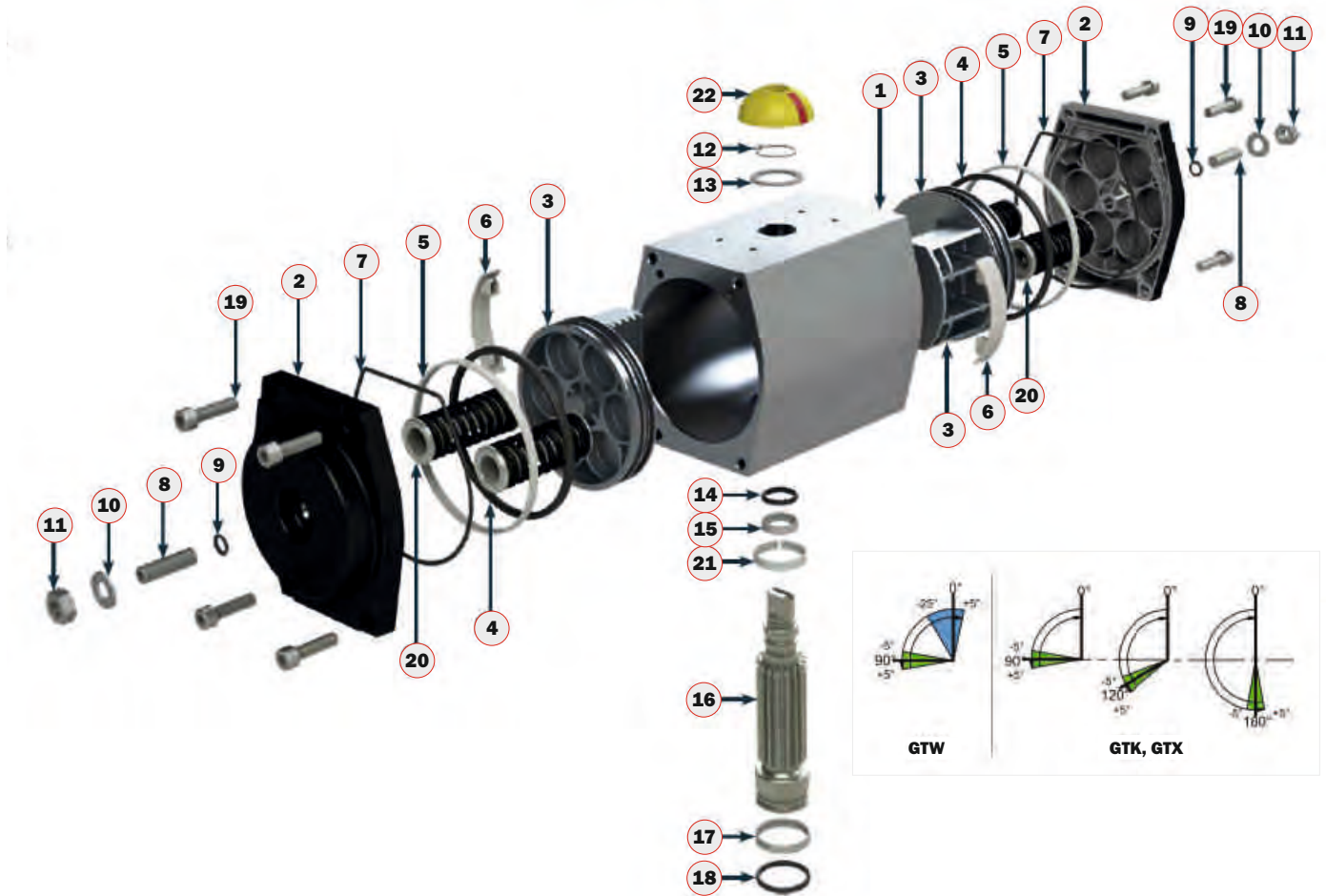
SINGLE ACTING ACTUATORS / TORQUE OUTPUT DATA

Czech Industrial Valve Manufacturer

Size	Springs No.	Spring torque		Pneumatic torque																							
				2 bar				3 bar				4 bar				5 bar				80 PSIG				100 PSIG			
				0°	90°	0°	90°	0°	90°	0°	90°	0°	90°	0°	90°	0°	90°	0°	90°	0°	90°	0°	90°	0°	90°	0°	90°
43,44	2	1,68	2,53	2,97	2,09	5,31	4,43	7,64	6,77	9,98	9,11	11,39	10,51	12,32	11,45	14,66	13,79	17,00	16,12	19,34	18,46	21,68	20,80				
	4	3,36	5,07			3,59	1,85	5,93	4,18	8,27	6,52	9,68	7,93	10,61	8,86	12,95	11,20	15,29	13,54	17,63	15,88	19,97	18,22				
	6	5,03	7,60					4,22	1,60	6,56	3,94	7,96	5,34	8,90	6,28	11,24	8,61	13,58	10,95	15,92	13,29	18,26	15,63				
	8	6,71	10,14							4,85	1,35	6,25	2,75	7,19	3,69	9,53	6,03	11,87	8,37	14,21	10,71	16,54	13,05				
52	2	1,91	3,19	5,84	4,54	9,74	8,44	13,64	12,34	17,54	16,23	19,87	18,57	21,43	20,13	25,33	24,03	29,23	27,92	33,12	31,82	37,02	35,72				
	4	3,82	6,37	3,90	1,29	7,59	5,19	11,69	9,09	15,59	12,98	17,92	15,32	19,48	16,88	23,38	20,78	28,28	24,64	31,17	28,57	35,07	32,47				
	6	5,73	9,56			5,84	1,94	9,74	5,83	13,64	9,73	15,98	12,07	17,53	13,63	21,43	17,52	25,33	21,42	29,23	25,32	33,12	29,22				
	8	7,64	12,75					7,79	2,58	11,69	6,48	14,03	8,82	15,59	10,38	19,48	14,27	23,38	18,17	27,28	22,07	31,17	25,96				
	10	9,55	15,94							9,74	3,23	12,08	5,57	13,64	7,13	17,53	11,08	21,43	14,92	25,33	18,82	29,22	22,71				
	12	11,46	19,12									10,13	2,32	11,69	3,88	15,59	7,77	19,48	11,67	23,38	15,57	27,28	19,46				
63	8	3,01	4,42	8,54	7,09	14,34	12,89	20,14	18,69	25,94	24,50	29,42	27,98	31,74	30,30	37,54	36,10	43,44	41,90	49,14	47,70	54,94	53,50				
	4	6,01	8,84	5,47	2,58	11,27	8,38	17,07	14,18	22,87	19,99	26,35	23,47	28,67	25,79	34,47	31,59	40,27	37,39	46,08	43,19	51,88	48,99				
	6	9,02	13,26			8,20	3,87	14,00	9,68	19,81	15,48	23,29	18,96	25,61	21,28	31,41	27,08	37,21	32,88	43,01	38,68	48,81	44,48				
	8	12,03	17,68					10,94	5,17	16,74	10,97	20,22	14,45	22,54	16,77	28,34	22,57	34,14	28,37	39,44	34,17	45,74	39,97				
	10	15,03	22,11							13,67	6,46	17,15	9,94	19,47	12,26	25,27	18,06	31,08	23,86	36,88	29,66	42,68	35,46				
	12	18,04	26,53									14,09	5,43	16,41	7,75	22,21	13,55	28,01	19,35	33,81	25,15	39,61	30,95				
75	2	5,24	7,96	14,65	11,87	24,65	21,87	34,65	31,87	44,65	41,87	50,65	47,87	54,64	51,67	64,44	61,86	74,64	71,86	84,64	81,86	94,64	91,86				
	4	10,48	15,93	9,31	3,75	19,31	13,75	29,31	23,75	39,30	33,75	45,30	39,74	49,30	43,74	59,30	53,74	69,30	63,74	79,30	73,74	89,29	83,74				
	6	15,71	23,89			13,96	5,63	23,96	15,63	33,96	25,62	39,96	31,62	43,96	33,62	53,96	45,62	63,96	55,62	73,96	65,62	83,96	75,61				
	8	20,95	31,85					18,62	7,50	28,62	17,50	34,62	23,50	38,62	27,50	48,61	37,50	58,61	47,50	68,61	57,49	78,61	67,49				
	10	26,19	39,81							23,57	9,38	29,27	15,38	33,27	19,38	43,27	29,38	53,27	39,37	63,27	49,37	79,36	59,37				
	12	31,43	47,78							17,93	1,26	23,93	7,26	27,93	11,26	37,93	21,25	47,93	31,25	57,92	41,25	76,2	51,25				
83	8	7,23	11,19	21,62	17,58	36,12	32,07	50,62	46,57	65,11	61,07	73,81	69,77	79,61	75,56	94,11	90,06	108,6	104,6	123,1	119,1	141,6	137,6				
	4	14,46	22,39	14,25	6,16	28,75	20,65	43,24	35,15	57,74	49,65	66,44	58,35	72,24	64,15	86,73	78,64	101,2	93,14	115,7	107,6	137,6	122,1				
	6	21,68	33,58			21,37	9,24	35,87	23,73	50,37	38,23	59,07	46,93	64,86	52,73	79,36	67,23	93,86	81,72	108,4	96,22	122,9	110,7				
	8	28,91	44,78					28,50	12,31	42,99	26,81	51,96	35,51	57,49	41,31	71,99	55,81	86,49	70,30	101,0	84,8	115,5	99,3				
	10	36,14	55,97							35,62	15,39	44,32	24,09	50,12	29,89	64,62	44,39	79,11	58,89	93,61	73,36	108,1	87,88				
	12	43,37	67,17							28,25	3,98	36,95	12,67	42,75	18,47	57,24	32,97	71,74	47,47	86,23	61,96	100,7	76,46				
92	2	9,10	14,34	30,72	25,37	50,73	45,38	70,73	65,38	90,73	85,38	102,7	97,39	110,7	105,4	103,7	124,5	150,7	145,4	170,5	165,4	190,7	185,4				
	4	18,20	28,69	21,44	10,74	41,44	30,75	61,45	50,75	81,45	70,75	93,45	82,75	101,5	90,76	121,5	110,8	141,5	130,8	161,5	150,8	181,5	170,8				
	6	27,31	43,03			32,16	16,12	52,16	36,12	72,16	56,12	84,17	68,12	97,12	76,12	112,2	96,13	132,2	161,1	152,5	136,1	172,2	156,1				
	8	36,41	57,38					42,88	21,49	62,88	41,49	74,88	53,49	82,88	61,49	102,9	81,50	122,9	101,5	142,9	121,5	162,9	141,5				
	10	45,51	71,72					33,59	6,86	53,60	28,86	65,60	38,86	73,60	46,86	93,60	66,86	113,6	86,87	133,6	106,9	153,6	126,9				
	12	54,61	86,07							44,31	12,23	56,31	24,23	64,32	32,23	84,32	52,23	104,3	72,24	124,3	92,24	144,3	112,2				
110	2	15,81	23,71	41,9	33,8	70,9	62,8	99,9	91,8	128,9	120,8	146,3	138,2	157,9	149,8	186,9	178,8	215,9	207,8	244,9	236,8	273,9	265,8				
	4	31,61	47,42	25,8	9,6	54,8	38,6	83,8	67,6	112,8	96,6	130,2	114,1	141,8	125,7	170,8	154,7	199,8	183,7	228,8	212,7	257,8	241,7				
	6	47,42	71,13			38,6	14,5	67,6	43,5	96,6	72,5	114,1	89,9	125,7	101,5	154,7	130,5	183,7	159,5	212,7	188,5	241,7	217,5				
	8	63,22	94,84					51,5	19,3	80,5	48,3	97,9	65,7	109,5	77,3	138,5	106,3	167,5	135,3	196,5	164,3	225,5	193,3				
	10	79,03	118,5							64,4	24,1	81,8	45,5	93,4	53,1	122,4	82,1	151,4	111,1	180,4	140,1	209,4	169,1				
	12	94,84	142,3									65,7	17,3	77,3	28,9	106,3	57,9	135,3	86,9	164,3	115,9	193,3	144,9				
118	2	21,25	36,46	64,3	48,8	107,3	91,8	150,3	134,8	193,3	177,8	219,1	203,6	236,3	220,8	279,3	263,8	322,3	306,8	365,3	349,8	408,3	392,8				
	4	42,50	72,92	42,7	11,6	85,7	54,6	128,7	97,6	171,7	140,6	197,5	166,4	214,7	183,6	257,7	226,6	300,7	269,6	343,7	312,6	386,7	355,6				
	6	63,75	109,4			64,0	17,4	107,0	60,4	150,0	103,4	175,8	129,2	193,0	146,4	236,0	189,4	279,0	232,4	322,0	275,4	365,0	318,4				
	8	84,99	145,8					85,3	23,3	128,3	66,3	154,1	92,1	171,3	109,3	214,3	152,3	257,3	257,3	195,3	300,3	238,3	281,3				
	10	106,2	182,3							106,6	29,1	132,4	54,9	149,6	72,1	192,6	115,1	235,6	158,1	278,6	201,1	321,6	244,1				
	12	127,5	218,7									110,8	17,7	128,0	34,9	171,0	77,9	214,0	120,9	257,0	263,9	300,0	206,9				
127	2	29,44	48,78	85,5	66,2	143,5	124,2	201,5	182,2	295,5	240,2	294,2	275,0	317,4	298,2	375,4	356,2	433,4	414,2	491,4	472,2	549,4	530,2				
	4	59,88	97,57	54,9	16,5	112,9	74,5	170,9	132,5	228,9	190,5	263,7	225,3	286,9	248,5	344,9	306,5	402,9	364,5	460,9	422,5	518,9	480,5				
	6	89,82	146,3			82,4	24,7	140,4	82,7	198,4	140,7	233,2	275,5	256,4	198,7	314,4	256,7	372,4	314,7	430,4	372,7	488,4	430,7				
	8	119,8	195,1					109,8	33,0	167,8	91,0	202,6	125,8	225,8	149,0	283,8	206,9	341,8	264,9	399,8	322,9	457,8	380,9				
	10	149,71	243,9							137,3	41,2	172,1	76,0	195,3	99,2	253,3	157,2	311,3	215,2	369,3	273,2	427,3	331,2				
	12	179,6	292,7									141,6	26,2	164,8	49,4	222,8	107,4	280,8	165,4	338,8	223,4	396,8	281,4				
143	2	48,1	68,9	137,0	115,7	230,3	208,7	323,0	301,7	416,0	394,7	471,8	450,5	509,0	487,7	602,0	570,7	659,0	673,7	788,0	766,7	881,0	859,8				
	4	96,1	137,8	87,9	45,5	181,0	138,5	274,0	231,5	367,0	325,4	422,8	380,3	460,0	417,5	553,0	510,5	646,0	603,5	739,0	696,5	832,0	789,5				
	6	144,2	206,7			131,9	68,2	224,9	161,2	317,9	254,2	373,7	310,0	410,9	347,2	503,9	440,2	596,9	533,2	686,9	626,2	782,9	719,2				
	8	192,3	275,6					175,9	90,9	268,9	183,9	324,7	239,7	361,9	276,9	454,9	369,9	547,9	462,9	640,9	555,9	733,9	648,9				
	10	240,3	344,4					126,9	20,7	219,9	113																

MAIN PARTS / MATERIAL PERFORMANCE

Czech Industrial Valve Manufacturer



Spare parts list

Pos.	Description	Material	Pc	Spare parts sets							
				Set 1,5	Set 2	Set 3	Set 4	Set 6	Set 7	Set 8	
1	Actuator body	Anodised aluminium EN AW6063	1	-	-	-	-	-	-	-	
2	Body end cap	Die-cast aluminium EN AC-46100	2	1	1	-	-	-	-	-	
3	Piston	Die-cast aluminium EN AC-46100	2	-	-	1	-	-	-	-	
4	Piston O-ring	Buna N nitrile rubber	2	-	1	1	-	-	2	-	
5	Piston guide ring	Acetalic resin (Delrin)	2	-	1	1	-	-	-	2	
6	Piston guide block	Acetalic resin (Delrin)	2	-	7	1	-	-	-	2	
7	End cap O-ring	Buna N nitrile rubber	2	1	-	-	-	1	2	-	
8	External stop screw	Stainless steel AISI 304	2	-	-	-	-	1	-	-	
9	External stop screw O-ring	Buna N nitrile rubber	2	-	-	1	-	1	-	-	
10	External stop screw washer	Stainless steel AISI 304	2	-	-	1	-	1	-	-	
11	External stop nut	Stainless steel AISI 304	2	-	-	-	-	-	-	-	
12	Pinion retaining ring	Stainless steel UNI 7435	1	-	-	-	1	-	-	-	
13	Pinion upper bearing	Acetalic resin (Delrin)	1	-	-	-	1	-	-	-	
14	Pinion upper O-ring	Buna N nitrile rubber	1	-	-	-	1	-	1	-	
15	Pinion upper guide bearing	Acetalic resin (Delrin)	1	-	-	-	1	-	-	1	
16	Pinion	Carbon steel EN 11SMnPb3	1	-	-	-	1	-	-	-	
17	Pinion lower guide bearing	Acetalic resin (Delrin)	1	-	-	-	1	-	-	1	
18	Pinion lower O-ring	Buna N nitrile rubber	1	-	-	-	1	-	1	-	
19	End cap retaining screws	Stainless steel AISI 304	8	4	-	-	-	-	-	-	
20	Spring cartridge	Steel (epoxy coated)	0-12	-	-	-	-	-	-	-	
21	Anti-blowout ring	Polyarylamide	1	-	-	-	-	-	-	-	
22	Position indicator	Nylon 6	1	-	-	-	-	-	-	-	

6 / ABO valve Czech

Actuators certified acc. with 2014/34/EU
Certified suitable for use at SIL3 as a single device in
accordance with IEC 61508

Set 1,5 = cap, complete
Set 2 = blind piston, complete
Set 3 = drilled piston kit, complete
Set 4 = shaft complete

Set 6 = external stop kit, complete
Set 7 = seal kit
Set 8 = guide kit

ACCESSORIES



GT line of ABO pneumatic actuators is equipped with special accessories according to the customer's specific requirements. Actuators and accessories can be supplied in various material combinations and designs according to the specific requirements of each project. Accessories can also be supplied as a spare parts according to the customer's requirements.



Positioners



Declutchable manual gearbox



Solenoids



Limit Switch Box



Manometers



Bracket / Coupling



Air filter regulator



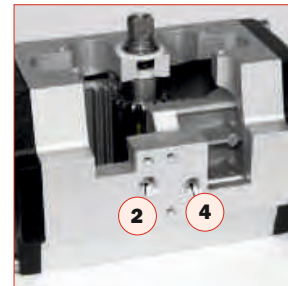
ASSEMBLY CONFIGURATIONS

Czech Industrial Valve Manufacturer

The graphics below show the relative orientation of the piston and pinion for each configuration, as viewed from the top side of the actuator. In the descriptions that follow, that perspective is assumed. Pinion rotation is indicated for each as CW (clockwise) or CCW (counter-clockwise).

Port 2 is connected to the inboard side of the pistons. Pressurising port 2 will force the pistons out until they reach the travel stops. The direction of pinion rotation is determined by the assembly configuration. Venting is through port 4.

Port 4 is connected to the outboard side of the pistons. Pressurising port 4 will force the pistons in until they reach the travel stops (if the actuator is so equipped as they're optional). The direction of pinion rotation is determined by the assembly configuration. Venting is through port 2.



STYLE	PORT 4 (OUTBOARD) PRESSURISED <i>Shown at end of stroke</i>	PORT 2 (INBOARD) PRESSURISED <i>Shown at end of stroke</i>
A STANDARD		
B OPTIONAL		
C OPTIONAL		
D OPTIONAL		

*) standard design

Note that on spring-return actuators, as with double-acting, pressurising port 2 will move the pistons out. When port 2 is depressurised, spring force will move the pistons in. Venting is through port 4. Port 4 is not to be pressurised on spring-return actuators.



Czech Republic

ABO valve, s.r.o.
Dalimilova 285/54
783 35 Olomouc
tel.: +420 585 223 955
sales@abovalve.com

Slovak Republic

ABO Slovakia, s.r.o.
Banská Bystrica
tel.: +421 947 902 862
sales.sk@abovalve.com

Germany

ABO Armaturen GmbH
Essen
tel.: +49 (0) 152 / 26229501
sales.de@abovalve.com

Ukraine

ABO Ukraine LLC Dnipro
tel.: +38 056 733 95 70
sales.ua@abovalve.com

Turkey

ABO Armaturen LTD STI
Istanbul
tel.: +90 0543 321 54 09
sales.tr@abovalve.com

China

ABO Flow Control
Shanghai
tel.: +86 136 015 228 31
sales.cn@abovalve.com

India

ABO Controls Pvt. Ltd.
Mumbai
tel.: +91 773 820 4779
sales.in@abovalve.com

Singapore

ABO Valve Pte. Ltd.
Singapore
+65 6254 0861
sales.sg@abovalve.com

North / South America

ABO Controls, LLC
Houston
tel.: +1 832 497 5303
sales.us@abovalve.com

United Arab Emirates

Sales representation
Abu Dhabi
tel.: +971 56 920 7964
bharti@abovalve.com

Bahrain

Sales representation
Manama
tel.: +973 - 3444 9065
jimmichen@abovalve.com

Valid since: 09/2021



Follow us on:



www.abovalve.com



The technical information described in this leaflet is tentative and for general use only and does not constitute a recommendation or guarantee for any specific service or application requirement. Please consult ABO representative or factory for specific requirements and material selection for your intended application. The right to change or modify product design or product without prior notice is reserved. ABO valve accepts no liability for damages caused by bad interpretation or use of the information included in this brochure.